

Operating Manual

SCA-130 Lawn Harrow



Carefully read chapter 4 Delivery and transport all the way through before unpacking the implement.

Prior to using the implement for the first time read this operating manual carefully and conscientiously all the way through.

Keep this manual where it is easily accessible. This will enable you to refer to important information and handling instructions as needed.

The operating manual is part of the implement. The operating manual must always be provided with new and used machines.

Introduction

1 Introduction

Dear customer! Dear customer!

Thank you for purchasing a product of matev GmbH, we appreciate your trust. You have acquired a quality product, if contrary to expectations you should have problems with the implement, contact your responsible sales partner.

Company stamp – sales partner



Prior to first use please read this operating manual carefully and conscientiously all the way through. The manual describes the handling of the implement and will support you in working safely and effectively, however it cannot substitute detailed instruction concerning the implement. By complying with the maintenance tasks you will retain the value and operational capability of the implement.

For damage that occurs due to operating errors or improper use, we will not accept any guarantee claims.

Variants may be described in the manual that do not agree with the scope of delivery of your implement.

Please enter the data of the rating plate on the implement in the manual. This information will be helpful in communication if there is a service case.



matev GmbH
90579 Langenzenn

Modell:

Code Nr.:

Fabr. Nr.:

Baujahr:

Ges.Gew.:

CE

The implement is subject to change in the interest of technical progress. All information, illustrations, and technical specifications represent the latest status at the time this manual was published. The manufacturer reserves the right to make changes at any time in the interest of technical progress.

Regards

matev GmbH

Table of contents

1	Introduction	2
2	About this operating manual	4
3	Safety	5
3.1	Intended use	5
3.2	Instructions for the owner	5
3.2.1	Instruction	5
3.2.2	Qualifications of personnel	5
3.2.3	Accident prevention	5
3.3	General safety notices	5
3.4	Warnings on the machine	6
4	Delivery and transport	7
4.1	Delivery on a pallet	7
4.1.1	Lift the implement off of the pallet	7
4.1.2	Long-distance transport	7
4.2	Transport over short distances	7
5	Operation	8
5.1	Intended use	8
5.2	Mounting on the front power system of the tractor	8
5.3	Dismounting the lawn harrow from the front power system	9
6	Maintenance	10
6.1	Maintenance schedule (overview)	10
6.2	Adjustment tasks	11
6.2.1	Pendulum compensation	11
6.2.2	Adjustment of the working depth	11
7	Repair	12
8	Disposal	12
9	Guarantee	12
10	Technical data	12
11	List of illustrations	13
12	EC - Declaration of Conformity	14

2 About this operating manual

Prior to first use read this operating manual carefully and conscientiously all the way through.

Keep this operating manual where it is easily accessible. This will enable you to refer to important information and handling instructions as needed.

At transfer of the machine the owner of the machine receives instruction in the operation and maintenance of the machine from the owner's sales partner.

The owner must ensure that operating and maintenance personnel have been instructed in full scope in the operation and maintenance of the machine.

Listings with bullet points are marked as follows:

- Text
- Text
- Text

Handling instructions are marked in the sequence in which they should be executed, as follows:

1. Text
2. Text
3. Text . . .

3 Safety

Guidelines and instructions with which you must comply, are summarized in this section.

3.1 Intended use

The implement must only be used in accordance with its specifications. Please read **chapter 5.1 Intended use** all the way through. All other uses are excluded.

Non-intended use causes:

- Health hazards for the operator or for third parties
- Implement damage
- Environmental damage

3.2 Instructions for the owner

3.2.1 Instruction

At transfer of the machine the owner of the machine receives instruction in the operation and maintenance of the machine from the owner's sales partner.

The owner must ensure that operating and maintenance personnel have been instructed in full scope in the operation and maintenance of the machine.

3.2.2 Qualifications of personnel

This machine must only be operated by persons who are qualified, as follows:

- They must be at least 18 years old.
- They have received instruction on the machine.
- They must have read and understood this operating manual.
- They have been instructed concerning the relevant safety regulations (accident prevention).

The relevant accident prevention regulations and the other generally acknowledged occupational health and safety and road traffic regulations must be complied with at all times.

3.2.3 Accident prevention

The safety regulations and accident prevention regulations are legally regulated in every country. The owner of the machine is responsible for compliance with the valid regulations.

3.3 General safety notices

In this section general safety notices are explained that are used in the subsequent sections.

Comply with these safety notices to ensure safe operation and to save work time and costs.



Danger!
Severe injury to the operator or third parties occurs.
Comply with the safety notice.



Attention!
Minor injury to the operator or third parties can occur. The tractor, the implement, or the environment can be damaged.
Comply with the safety notice.



Note!
Important, helpful tips or information for the operator.
Read this note. It facilitates your work.



Attention!
Injuries can occur.
Wear protective work clothing.

3.4 Warnings on the machine

Warnings and their general meaning are specified below that are also affixed as stickers on the implements.



Attention!
Danger of injury due to moving parts.
Remove the ignition key before performing tasks on the implement.



Danger of injury due to rotating parts.
Maintain a safe distance from the area of drive shafts.
Switch off the implement. Wait until all machine parts have come to a standstill before performing tasks on the implement.



Attention!
Injuries can occur due to improper operation. The implement can be damaged.
Read the operating manual all the way through.
Comply with the safety instructions.



Attention!
Injuries due to fluid escaping under high pressure.
Comply with the notice in the operating manual.



Attention!
Danger of crushing due to moving parts.
Never reach into the crushing hazard zone if parts are moving or can move.
Comply with the notice in the operating manual.



Attention!
Danger of injury due to the hydraulic system.
Do not enter the danger zone unless the lift cylinder safeguard is in place.

4 Delivery and transport

Our implements are delivered in suitable packaging. Please comply with the valid occupational health and safety regulations when unpacking and use suitable hoists if necessary.

4.1 Delivery on a pallet

4.1.1 Lift the implement off of the pallet

1. Remove the protective packaging and the transport safeguard.
2. Lift the implement off of the pallet with a suitable device (crane or forklift) and set it down.

4.1.2 Long-distance transport

If you want to transport the implement over longer distances (e.g. shipping via freight forwarder), you must lash the implement onto a pallet.

4.2 Transport over short distances

Suitable transport equipment or hoists must be used (crane, forklift, lift truck)

5 Operation



Danger!

At transfer of the machine the owner of the machine receives instruction in the operation and maintenance of the machine from the owner's sales partner. The owner must ensure that operating and maintenance personnel have been instructed in full scope in the operation and maintenance of the machine. The machine must not be operated or maintained without instruction.

Due to the variety of towing vehicles and variants of our implements, only the fundamentals of operation can be described here. At transfer of the machine you will receive instruction on your machine from your sales partner.

5.1 Intended use

The lawn harrow should only be mounted on tractors with sufficient power. The harrow may only be attached on the front power system. It is used for loosening and detaching the lawn thatch.

The prescribed ballast for the tractor and the specified maximum axle load must be complied with.

Attention!



**The tractor must not roll back as long as the harrow tines are on the ground!
Danger of tine break!**

All other uses are excluded.

Non-intended use causes:

- Health hazards for the operator or for third parties
- Lawn harrow damage
- Environmental damage

5.2 Mounting on the front power system of the tractor



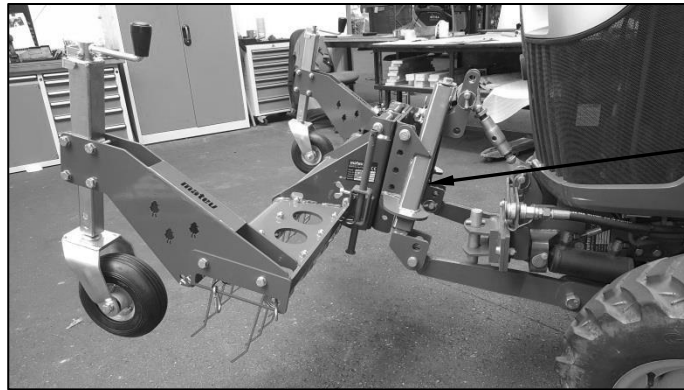
Danger!

If you do not comply with the following instructions the implement can tip over when it is being attached:

Place the lawn harrow on a level and solid substrate.

Proceed as follows to attach the lawn harrow on a front power system:

1. With the coupling triangle attached on the front power system drive under the attachment triangle of the harrow and lift up.
2. Place the support foot in the uppermost position and clamp it in place with the fastening screw.
3. Secure the coupling triangle with the screw
4. Lower the harrow
5. Adjust a horizontal position for the lawn harrow via the top link of the front power system.



Coupling support

Fig. 1: Coupling support

5.3 Dismounting the lawn harrow from the front power system

Danger!

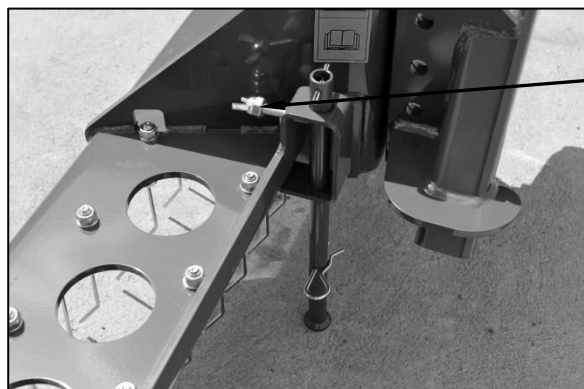


If you do not comply with the following instructions the implement can tip over when it is being detached:

Place the lawn harrow on a level and solid substrate.

Proceed as follows to dismount the implement from the front power system:




1. Unscrew the fastening screws of the support foot
2. Lower the support foot until it touches the ground, and secure it with the fastening screw
3. Remove the lock screw on the coupling triangle
4. Lower the front power system and move back with the tractor



Fastening screw

Fig. 2: Support foot

6 Maintenance

	<p>Danger!</p> <p>The implement can fall over.</p> <p>Only perform service and maintenance tasks when</p> <ul style="list-style-type: none"> • the harrow is on level ground • the harrow is mounted on the tractor and
	<p>Attention!</p> <p>Properly reattach all protective devices that have been dismantled after executing the maintenance tasks.</p>
	<p>Note!</p> <ul style="list-style-type: none"> • After the first 5 hours of operation check all screw and bolt connections. • Subject the harrow to regular maintenance • Only use lubricating grease, do not use oil to lubricate moving parts.

6.1 Maintenance schedule (overview)

Time interval	Activity
After the first 5 operating hours	<ul style="list-style-type: none"> • Check all screw connections and bolt connections. Tighten any loose screws, and secure any loose bolt connections with spring cotter pins.
Daily or before each use	<ul style="list-style-type: none"> • Check the safety elements and moving parts for wear. Replace worn or defective parts, as needed • For the chassis version, check the air pressure of the casters and adjust the air pressure if necessary.
After each use	<ul style="list-style-type: none"> • clean the entire implement.
After 25 work hours	<ul style="list-style-type: none"> • Check the moving parts: <ul style="list-style-type: none"> • Pendulum axle of the harrow • Casters of the feeler wheels

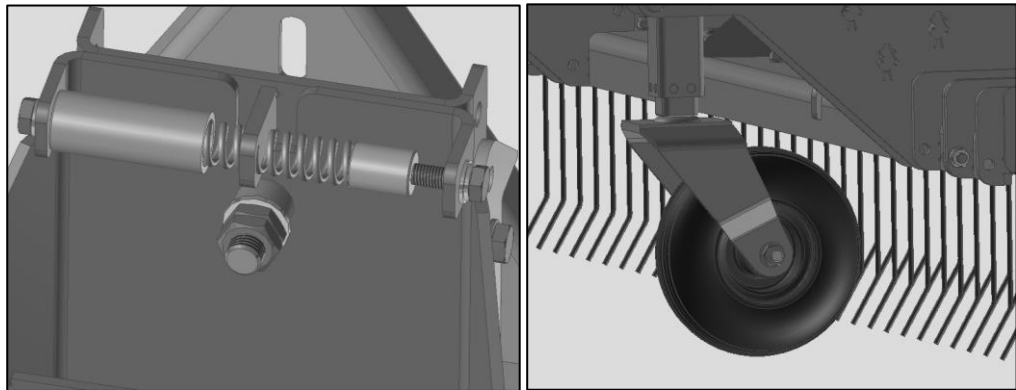


Fig. 3: Pendulum axle and caster

6.2 Adjustment tasks

6.2.1 Pendulum compensation

To ensure a horizontal position of the harrow in lifted position, the pendulum compensation springs are attached. The springs are preset in the factory and should only be readjusted as required, i.e. if the harrow does not hang horizontally in lifted position. First, lift the lawn harrow. Tension the springs by directly turning the laterally attached screws. Only tension the springs that are opposite of the side on which the harrow hangs down.

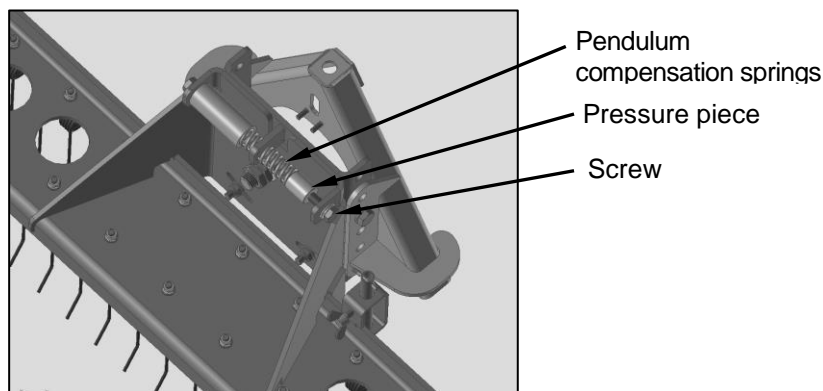


Fig. 4: Adjustment of the pendulum compensation.

6.2.2 Adjustment of the working depth

To achieve the desired work effect, adjust the working depth with the aid of the two feeler wheels. The deeper the tines are set, the more aggressive the effect. A working depth of 40 mm is recommended.

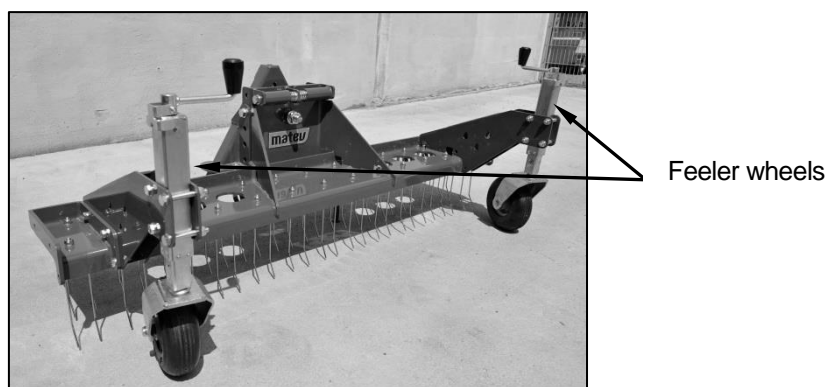


Fig. 5: Feeler wheels

7 Repair

If there are faults, problems, or other indications of malfunction, contact your sales partner.

8 Disposal

The harrow must be disposed of in accordance with the applicable regulations of the municipality or the country.

Take the parts to the collection points for residual waste, special waste, or recycle them depending on material.

matev GmbH does not provide any disposal services.

9 Guarantee

The general terms and conditions of matev GmbH apply.

10 Technical data

Type designation	Units	SCA-M130	SCA-M150	SCA-M170
Dimensions				
Maximum width approx.	mm	1393	1585	1825
Total height	mm	581	581	581
Length (from coupling triangle)	mm	709	709	709
Weight	kg	81	89	97

11 List of illustrations

Fig. 1: Coupling support..... 9
Fig. 2: Support foot..... 9
Fig. 3: Pendulum axle and caster..... 11
Fig. 4: Adjustment of the pendulum compensation..... 11
Fig. 5: Feeler wheels..... 11

